

INFRA RED SENSOR WITH COOLING (HOT METAL SENSOR)

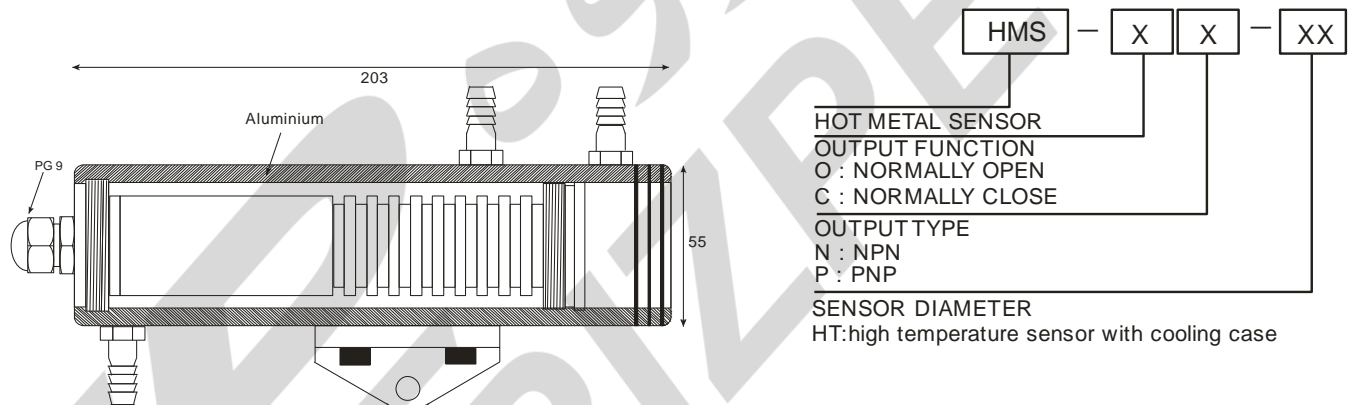
This sensor reveals infrared spectroscopy of hot materials such as glass , steel , ceramics , etc. , and converts it into an electrical signal at the sensor output . these sensors can adjust the sensitivity rate for IR intensities . (to reach a set of adjustment should open the gland behind the sensor) , and considering that a relatively narrow field of view is predicted by optical means , so the ability of the sensor is very capable to accurately diagnose the position of the hot object . It can be mounted from 1 m to 4 m from the object due to its intensity of infrared light and heat .



The main case with compressed air capability



The sensor inside the main case



TECHNICAL DATA			
Power supply	10 ~ 30 VDC	Ambient outside temperature	+180 °C
Max output current	250 mA	Ambient inside temperature	+60 °C
max output drop voltage	1.2 V	Protection class	IP 66
Sensor diameter	60 mm	Output indicator	RED LED
Housing Length	170 mm	Housing material	aluminum
Max. air pressure	6 bar	Output connection	3x0.75 silicon cable 1.5 m